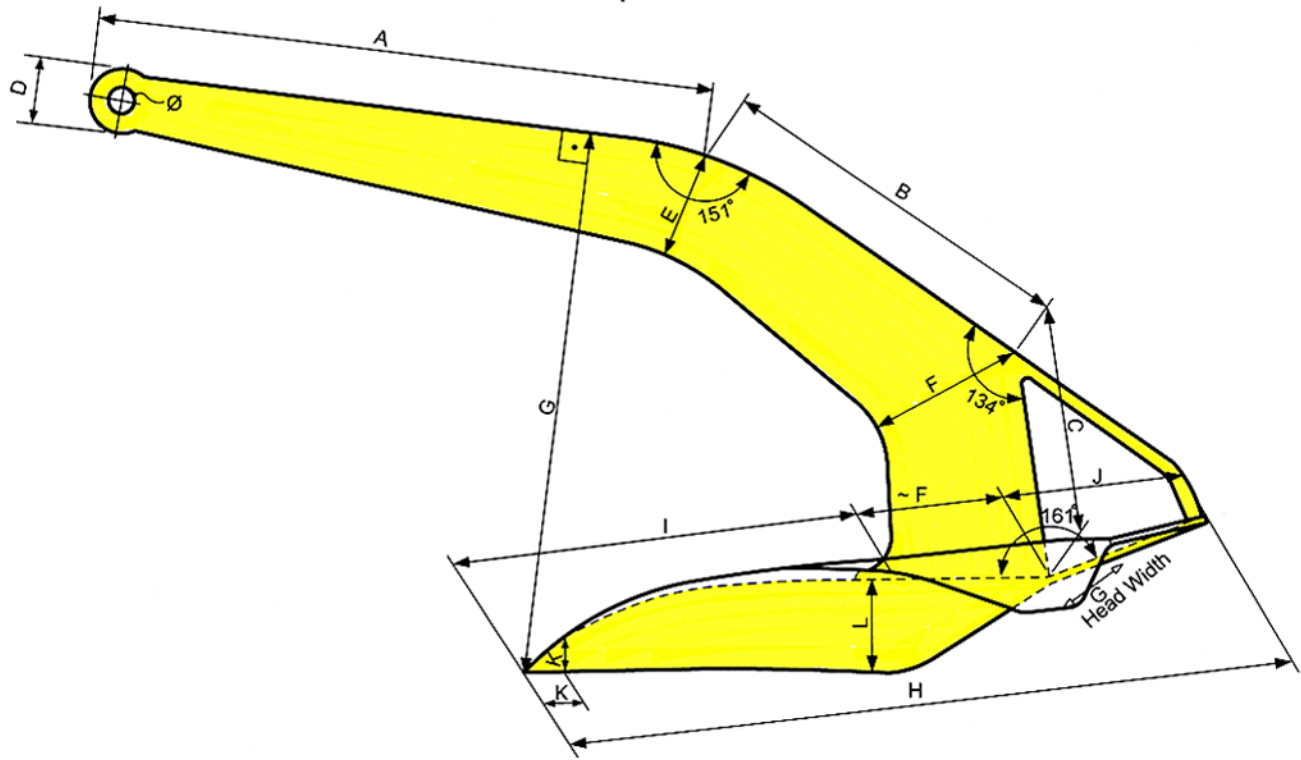


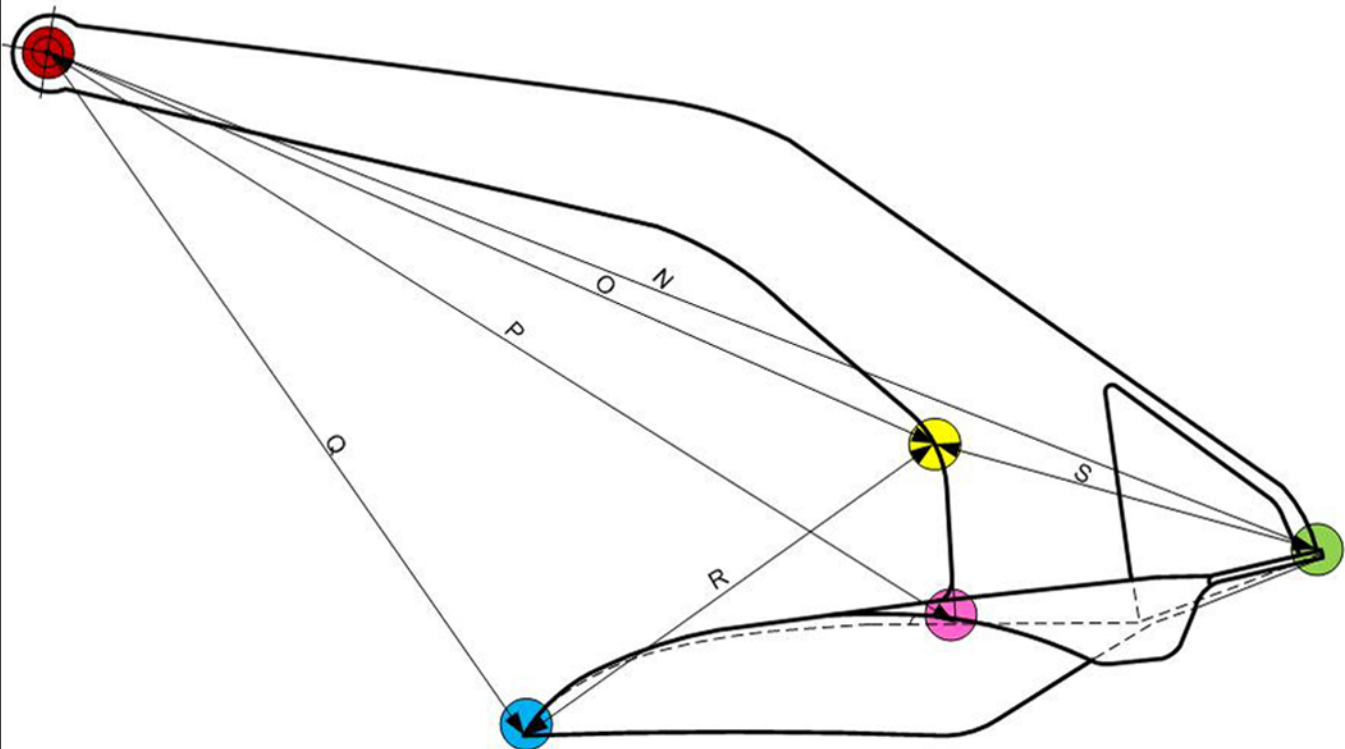
ULTRAnchor Template Main Dimensions :

February
2011



Additional Dimensions :

February
2011



QUICKLINE
8700 Warner Ave, # 110
Fountain Valley, CA 92708
Phone 714-843-6964
Fax 714-843-6906
sales@quickline.us
www.ultraanchors.us

ULTRAnchor Template Dimensions (mm) :

Anchors Dimen.	5	8	12	16	21	27	35	45	60	80	100	130	160	200
A	293.3	343	392.6	432.2	473.2	514.5	561	610	671.4	739	796	868.8	931.1	1003
B	165.4	193.5	221.4	243.7	266.9	290.2	316	344	378.7	416.8	449	490	525.1	565.7
C	109.5	128.1	146.6	161.4	176.7	192.1	210	227.8	250.7	276	297.3	324.4	347.7	374.5
D	30	32	37	40	44	48	52	57	62	69	74	82	90	100
Ø	13	14	15	16	17	18	20	22	24	26	28	30	33	35
E	52.3	61.1	70	77	84.3	91.7	100	108.7	119.7	131.7	141.9	154.9	166.0	178.8
F	71.6	83.8	95.9	105.5	115.6	125.6	137	149	164	180.5	194.4	212.2	227.4	244.9
G	255.1	298.4	341.6	375.9	411.6	447.6	488	530.6	584.0	642.8	692.5	755.8	809.9	872.4
H	330.4	386.4	442.3	486.9	533	579.6	632	687.2	756.4	832.5	896.8	978.8	1048.9	1129.9
I	180.9	211.6	242.2	266.5	291.8	317.3	346	376.2	414.1	455.8	491	535.8	574.2	618.6
J	79.5	92.9	106.4	117.1	128.2	139.4	152	165.3	181.9	200.2	215.7	235.4	252.3	271.7
K	13.6	15.9	18.2	20	21.9	23.8	26	28.3	31.1	34.2	36.9	40.3	43.2	46.5
L	45.5	53.2	60.9	67	73.4	79.8	87	94.6	104.1	114.6	123.5	134.7	144.4	155.5
N	545.8	638.3	730.7	804.2	880.5	957.5	1044	1135.2	1249.5	1375.2	1481.4	1616.8	1732.7	1866.5
O	385.8	451.2	516.5	568.5	622.5	676.8	738	802.5	883.3	972.1	1047.2	1142.9	1224.8	1319.4
P	426.6	498.9	571.1	628.6	688.2	748.4	816	887.3	976.6	1074.9	1157.9	1263.7	1354.3	1458.9
Q	325.7	380.9	436	479.9	525.5	571.4	623	677.4	745.6	820.7	884	964.8	1034	1113.8
R	201.3	235.4	269.5	296.6	324.7	353.1	385	418.6	460.8	507.1	546.3	596.2	639	688.3
S	161.5	188.9	216.3	238	260.6	283.4	309	336	369.8	407	438.5	478.5	512.8	552.4

Note: Dimensions are approximate. There can be some small differences with real anchors.



QUICKLINE
8700 Warner Ave, # 110
Fountain Valley, CA 92708
Phone 714-843-6964
Fax 714-843-6906
sales@quickline.us
www.ultraanchors.us