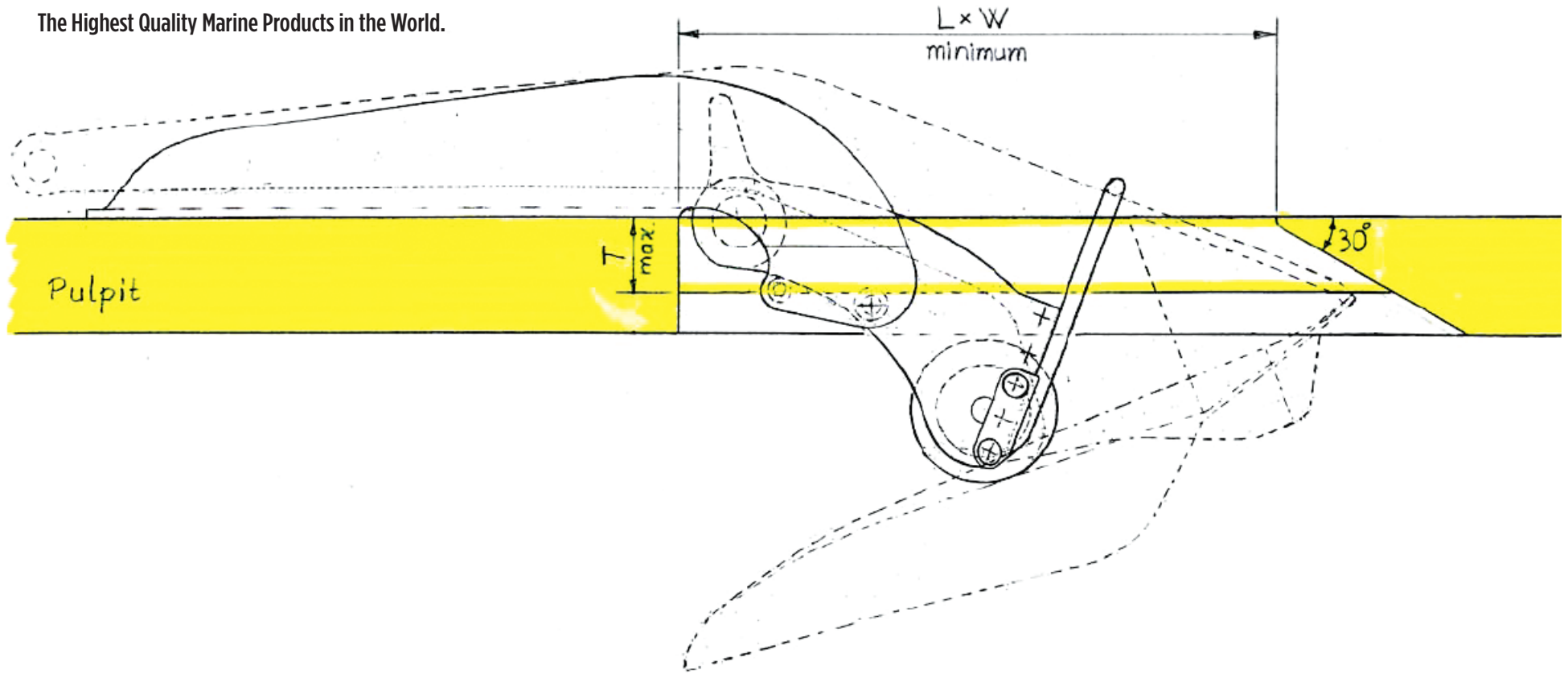




ULTRA ANCHOR BOW ROLLER ARTICULATED PULPIT

8700 Warner Ave., Suite #110, Fountain Valley, CA 92708 • www.ultraanchors.us
 www.quickline.us • sales@quickline.us • 714-843-6964

The Highest Quality Marine Products in the World.



Anchors	(kg) (lbs)	(kg) (lbs)	(kg) (lbs)	(kg) (lbs)	(kg) (lbs)	(kg) (lbs)	(kg) (lbs)	(kg) (lbs)	(kg) (lbs)	(kg) (lbs)	(kg) (lbs)	(kg) (lbs)	(kg) (lbs)	(kg) (lbs)
→	5 - 11	8 - 18	12-26	16-35	21-46	27-60	35-77	45-100	60-132	80-176	100-220	130-290	160-350	200-440
min L mm.	248	290	332	365	400	435	475	516	568	625	673	735	787	848
in.	9.76	11.42	13.07	14.37	15.75	17.13	18.70	20.31	22.36	24.61	26.50	28.94	30.98	33.39
min W mm.	82	95	104	113	128	135	150	160	171	195	207	228	244	263
in.	3.23	3.74	4.09	4.45	5.09	5.32	5.91	6.30	6.73	7.68	8.15	8.98	9.61	10.35
max T mm.	31	36	42	46	50	55	60	65	71	78	84	92	98	106
in.	1.22	1.42	1.65	1.81	1.97	2.17	2.36	2.56	2.80	3.07	3.31	3.62	3.86	4.17